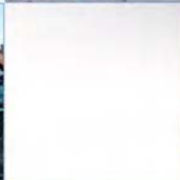


# East Beechwood Farm, Inverness, Highland Archaeological Evaluation Phase 1, Stage 1:

## Data Structure Report

AOC 21113  
January 2009



ARCHAEOLOGY

HERITAGE

CONSERVATION

---

# East Beechwood Farm, Inverness, Highland Archaeological Evaluation: Phase 1, Stage 1: Data Structure Report

---

<b>On Behalf of:</b>	<b>ROK Prime Contracting Ltd</b>
<b>National Grid Reference (NGR):</b>	<b>NH 68948 45386 NH 69138 44634</b>
<b>AOC Project No:</b>	<b>AOC 21113</b>
<b>Prepared by:</b>	<b>Rob Engl Victoria Clements</b>
<b>Illustration by:</b>	<b>Graham Carruthers</b>
<b>Date of Fieldwork:</b>	<b>January 2009</b>
<b>Date of Report:</b>	<b>January 2009</b>

This document has been prepared in accordance with AOC standard operating procedures.

<b>Author: Rob Engl &amp; Victoria Clements</b>	<b>Date: January 2009</b>
<b>Approved by: John Gooder</b>	<b>Date: January 2009</b>
<b>Draft/Final Report Stage: Draft</b>	<b>Date: January 2009</b>

**Enquiries to:** AOC Archaeology Group  
Edgefield Industrial Estate  
Edgefield Road  
Loanhead  
EH20 9SY

Tel. 0131 440 3593  
Fax. 0131 440 3422  
e-mail. [edinburgh@aocarchaeology.com](mailto:edinburgh@aocarchaeology.com)



[www.aocarchaeology.com](http://www.aocarchaeology.com)

## Contents

	<b>Page</b>
<b>List of illustrations</b> .....	<b>2</b>
<b>List of appendices</b> .....	<b>2</b>
<b>Abstract</b> .....	<b>3</b>
<b>1 INTRODUCTION</b> .....	<b>4</b>
1.1 Site Location .....	<b>Error! Bookmark not defined.</b>
1.2 Development Background .....	<b>4</b>
1.3 Archaeological Background .....	<b>5</b>
<b>2 OBJECTIVES</b> .....	<b>6</b>
<b>3 METHOD</b> .....	<b>6</b>
<b>4. RESULTS</b> .....	<b>6</b>
4.1 Introduction .....	<b>6</b>
4.2 Area A .....	<b>7</b>
4.3 Area B .....	<b>11</b>
<b>5 DISCUSSION</b> .....	<b>11</b>
<b>6 RECOMMENDATIONS</b> .....	<b>12</b>
<b>7 REFERENCES</b> .....	<b>12</b>
<b>APPENDIX 1: Trench Descriptions</b> .....	<b>15</b>
<b>APPENDIX 2: Photographic Register</b> .....	<b>22</b>
<b>APPENDIX 3: Context Register</b> .....	<b>24</b>
<b>APPENDIX 4: Drawing Register</b> .....	<b>27</b>
<b>APPENDIX 5: Finds Register</b> .....	<b>28</b>
<b>APPENDIX 6: Sample Register</b> .....	<b>28</b>
<b>APPENDIX 7: DISCOVERY AND EXCAVATION IN SCOTLAND REPORT</b> .....	<b>30</b>

## List of illustrations

Figure 1: Site Location

Figure 2: Location of Evaluation Trenches – Areas A & B

Figure 3: Area A Location of Features

Figure 4: Plans and Sections Trenches 1 & 2

Figure 5: Plans and Sections Trenches 3, 4 & 5

Figure 6: Plans and Sections Trenches 6, 7, 8, & 9

Plate 1: North facing section of pits [109] and [113]

Plate 2: South-east facing section of ditch terminus [305] and [301]

Plate 3: Postholes [308], [310] and [312] from south

Plate 4: Linear ditch feature running through Trench 20 from north-west

## List of appendices

Appendix 1: Trench Descriptions

Appendix 2: Photographic Register

Appendix 3: Context Register

Appendix 4: Drawing Register

Appendix 5: Finds Register

Appendix 6: Sample Register

Appendix 7: *Discovery and Excavation in Scotland* Report

## Abstract

---

This report represents the results of an archaeological evaluation undertaken by AOC Archaeology Group as part of a phased programme of archaeological works at East Beechwood Farm, Inverness, Highland. The evaluation was commissioned by ROK Prime Contracting Ltd. The initial works consisted of a 5% intrusive evaluation on two land parcels with trenching amounting to a total of some 3,560 m<sup>2</sup>. The land parcels were situated on rough pasture and were centred on NGR: NH 68948 45386 (Plot A) and NGR: NH 69138 44634 (Plot B) respectively.

The work was carried out in January 2009 and was conducted according to the terms of a *Written Scheme of Investigation* (Dunbar 2008) which was agreed by HCAU.

The evaluation revealed numerous features of archaeological significance including several linear ditches of unknown date, a large enclosure ditch and terminus of probable prehistoric date and a variety of pit and post-hole features set across the north of *Area A*. Artefacts recovered from the pit features included a single flint flake and prehistoric pottery sherds including Neolithic Grooved Ware. A large quantity of impressed daub was revealed within the ditch terminus. A small sample of the daub was recovered with the remainder left *in situ*. All features were covered with terram at the end of the evaluation with the trenches then backfilled.

As required by HCAU, a mitigation strategy to deal with these findings will be prepared compliant with NPPG 5, Pan 42 and SPP 23.

# 1 INTRODUCTION

## 1.1 Development Background

1.1.1 A phased programme of archaeological works was required by ROK Prime Contracting Ltd in respect to a proposed mixed development at East Beechwood, Inverness (centred NGR: NH 695 450). The development area consists of a greenfield site covering approximately 82 ha. The proposed development lies within the administrative area of Highland Council, which is advised on archaeological matters by Highland Council Archaeology Unit (HCAU). A programme of archaeological works, keeping with the policies outlined in PAN 42, NPPG 5 and SPP 23, had been specified by HCAU (ref: CHG660). This work was designed to assess the extent and significance of any archaeological remains which may be present within the development area.

1.1.2 An assessment of the site's archaeological potential requires a phased response. This was to consist of:

**Phase 1\*** the undertaking of an intrusive archaeological evaluation (trial trenching) based on a maximum 5% sample size. This work was designed to determine the nature, extent, condition, date and significance of any archaeological remains within the proposed site area;

**Phase 2** the provision of a evaluation data structure report detailing the findings of Phase 1. Should significant archaeological deposits be discovered, a mitigation strategy will be prepared compliant with NPPG 5, PAN 42 and SPP 23;

**Phase 3** given the discovery of significant archaeological material where preservation *in situ* proves infeasible the undertaking of a programme of archaeological mitigation works as defined in a further Written Scheme of Investigation approved by Highland Council.

\*Given the large scale of the development and the potential for encountering archaeological remains it was decided to undertake the 5% sample evaluation in 'stages'. Stage 1 (this report), was focused on the areas crucial to the overall planning of the development, the so called 'key areas' (Areas A & B) which within the master-plan will house 'hub buildings' or be 'focal points'. These key areas cover 7.13 ha. At present the size and number of subsequent evaluation stages has yet to be confirmed.

1.1.3 This report outlines the intrusive evaluation (Stage 1) carried out as part of Phase 1 of the aforementioned works. The evaluation was designed to assess the nature, extent and condition of any archaeological remains present.

1.1.4 The Phase 1 Stage 1 evaluation works was undertaken between 12<sup>th</sup> and 16<sup>th</sup> January [REDACTED]. The works consisted of linear trenching totalling 3565 m<sup>2</sup> excavated by machine under constant archaeological supervision. The trenching was divided between the two areas with c.2,200 m<sup>2</sup> being excavated within Area A and c.1,400 m<sup>2</sup> linear metres within Area B.

## 1.2 Site Location

- 1.2.1 The evaluation areas lay within East Beechwood Farm, Inverness, Highland (Figure 1). Area A (NGR: NH 68948 45386) abuts the railway line to the north and the A9 Road to the west. The area forms part of a larger field of rough pasture to the south and east. Area B is located to the immediate south-west of East Beechwood Farm (NGR: NH 69138 44634) (Figure 2). The majority of the area is situated to the south of the existing farm track and burn running east to west, with a smaller plot lying to the north along the A9 Road. The larger portion of the area is bounded to the west by the A9 Road and Culloden Road to the south. As with Area A the remainder of the Area B lies in a larger area of rough pasture.

## 1.3 Archaeological Background

- 1.3.1 The proposed development area has provided extensive evidence of prehistoric activities. Three burnt mounds (MHG29238 & NMRS NH64NE 625) as well as cropmarks indicating pit circles (MHG3683, Scheduled Ancient Monument 11535) and a ring ditch (MHG3740, Scheduled Ancient Monument 11535) have been identified within the proposed development area. Additionally flakes and scrapers (MHG3674) have been recovered from within the developments boundaries. A further set of cropmarks including a linear feature, a pit and a pit circle (MHG3059) are located on the western boundary of the site.

The extensiveness of the prehistoric settlement in the area is further indicated by identification of several sites within the 500 metres of development area. These include seven ring ditches (MHG24763, NMRS NH64NE40), ring groove roundhouses (NMRS NH64NE 15), an enclosure, a pit alignment, Bronze Age cemetery and large sub-circular feature (NMRS NH64NE40), a possible borrow and enclosure (NMRS NH74NW 112), a cairn (NMRS NH54NE 6), several microliths and pits (NMRS NH64SE 246 & NMRS NH74NW 114) and flint scrapers and cores (NMRS NH64SE 47 & NMRS NH64NE 106). Raigmore Cairn (NMRS NH64SE 47) was originally located east of the proposed development area. Further hut circles may also have lain just south-east of the proposed development area (NMRS NH74SW 12). Additionally an enclosure at Castlehill (NMRS NH64SE 2408) and a linear feature at Raigmore (NMRS NH64SE 60) may also be of prehistoric date.

- 1.3.2 Cartographic evidence has indicated that the site has been in agricultural use throughout the post-medieval and modern periods. A new farmhouse was constructed at Beechwood in 1904 and small settlement clusters in the surrounding area developed during the latter half of the 20th century. Inverness has rapidly expanded east towards the site during the last 50 years.
- 1.3.3 A walkover survey of the proposed development area was undertaken by AOC Archaeology on 26<sup>th</sup> and 27<sup>th</sup> August 2008. No previously unrecorded remains of archaeological interest were identified.

## 2 OBJECTIVES

2.1 The objectives of the archaeological works were:

- i) to assess the character, condition, extent, quality, date and significance of any as yet undiscovered archaeological remains within the proposed evaluation areas;
- ii) should significant archaeological features/deposits be discovered to prepare and implement an appropriate mitigation strategy compliant with NPPG 5, PAN 42 and SPP 23.

## 3 METHOD

3.1 The evaluation was achieved through the excavation of linear trenches using a tracked 360° excavator equipped with a 2 m wide ditching bucket. The trenches covered a 5% sample of the two areas (A & B) shown in Figure 2. These areas form Stage 1 of Phase 1 of the total development area. The Stage 1 evaluation was focused on the areas crucial to the overall planning of the development, the so called 'key areas' which within the master-plan will house 'hub buildings' or be 'focal points'. The key areas cover 7.13 ha with the Stage 1 evaluation therefore requiring trenches totalling 3,565 m<sup>2</sup>.

3.2 The trenches were of varying lengths and set on varying orientations. The precise location of the trenches was determined on receipt of utility service information and following consultation with HCAU.

3.3 Excavation was undertaken in shallow units/spits until the first significant archaeological horizon or natural drift geology was reached. Trial trenches were extended around specific archaeological features to determine their lateral extent (while remaining within the development area). All machine excavation was supervised by an experienced field archaeologist.

3.4 All significant archaeological features were cleaned and defined. Approximately 50% of all significant features were sampled and recorded.

## 4. RESULTS

### 4.1 Introduction

4.1.1 The evaluation was conducted between 12<sup>th</sup> and 16<sup>th</sup> January 2009. The weather conditions during the evaluation were variable ranging from rain showers to dry and cold; overall archaeological visibility was good. Twenty-two trenches were excavated within Area A with the majority being 50 m in length. The trenches had a combined basal area of 2200 m<sup>2</sup>. A 50 m<sup>2</sup> extension was also incorporated within Trench 1. Fourteen 50 m long trenches were excavated within Area B (Figure 2). The following should be read in conjunction with the data presented in Appendices 1-7, Figures 2-6 and Plates 1-4.



## 4.2 Area A (Figures 2 & 3)

### 4.2.1 Introduction

The excavation of the trenches revealed an improved sandy, medium brown topsoil which ranged from 0.30 m to 0.50 m in depth across the area. The topsoil contained numerous small sub-rounded stones and small amounts of modern ceramics and glass. It overlay a 0.10 m interface with a natural subsoil which varied across the area, ranging from soft orange sand to a compact mixture of sands and gravels. The subsoil became more compact to the south-west. No modern field drains were encountered.

Features of archaeological significance were observed within fourteen of the twenty-two trenches. These were largely distributed across higher ground within the northern half of Area A.

### 4.2.2 Trench 1 (Figure 4)

Trench 1 revealed eight cut features, four of which ([105]-[107]-109)-[113]) were situated within the extension (Figure 2). Together with circular cut features [101]-[103] these appear to form the remains of a possible structure situated within the enclosure ditch revealed in Trench 3. Four features [101], [103], [105] & [107] were circular in shape with approximate diameters of 0.60 m. Posthole [101] was half-sectioned revealing a shallow, sharp-sided circular feature, 0.13 m in depth, with a gently rounded base and moderately sloping sides. A small sherd of prehistoric ceramic (SF 01) was recovered from its fill (102). The fills of all four of these features were very similar being a medium brown silty sand with numerous small stones and gravel. Two pits (?) [109] & [113] were partially exposed in the north-facing section of the extension. It was apparent that pit [113] cut feature [109]. The features are probably oval in shape and have similar fills comprising a compact brown sandy silt, (110) and (114), overlying a highly organic dark brown sandy silt (111) & (116) both with a maximum depth of 0.10 m. These fills in turn overlay a pale brown mix of the upper fills and re-deposited sands and gravels (112) and (115). Thirteen sherds of thick, coarse prehistoric pottery and one sherd of Grooved Ware (SF 03) were recovered from fill (111).

Two other small post-holes [117] & [119] were revealed within Trench 1 located at the southern end of the trench. Both of these features were 0.30 m in diameter with a dark brown, organic looking sandy silt (118) & (120). Neither feature was excavated.

### 4.2.3 Trench 2 (Figure 4)

This trench contained a 'V' profiled linear feature [207] aligned east to west and a small concentration of probable circular post-holes [201], [203] & [205] all of which were excavated. Linear [207] was 1.0 m wide with a maximum depth of 0.35 m. A 0.50 m slot was dug through it revealing a narrow 0.30 m wide 'ankle breaker' at its base. The sides of the ditch were uneven and moderately sloping with the south-eastern slope being heavily affected by bioturbation. As with many of the features in Area A, its fill (208) was medium brown, sandy silt with numerous small stones and gravel.



**Plate 1: Trench 1: north facing section of pits [109] and [113]**

The probable post-holes were situated at the northern end of the trench. The features [201] and [203] were 0.50 m in diameter with moderately sloping sides and narrow rounded bases. Both had a maximum depth of 0.12 m. To the immediate south-east of [203] lay [205] which was 0.25 m in diameter with a depth of 0.25 m.

#### 4.2.4 Trench 3 (Figure 5)

Trench 3 revealed the rounded terminus of a large linear ditch feature [305] orientated north to south. The terminus was sectioned revealing that it appeared to cut a pre-existing pit feature [301] exposed in the NE-facing trench section. The visible dimensions of the linear ditch consisted of a maximum depth of 0.65 m and a width of 1.58 m. The terminus had steeply sloping sides and a gently rounded base. The main fill (306) was a grey-brown sandy silt with small flecks of charcoal. Larger fragments of charcoal together with a large amount of impressed daub (307) were found pressed against the eastern side of the terminus. The terminus appeared to cut feature [301] which has largely unknown dimensions, although a depth of 0.40 m was recorded within the exposed feature. The pit contained three fills (302), (303) and (304). Ditch [305] was also observed in Trenches 21 and 22.

Elsewhere within Trench 3 lay a small group of circular post-holes [308], [310] and [312]. The features ranged in diameter from 0.35 to 0.40 m, A maximum depth of 0.71 m was revealed in post-hole [308], the only example excavated.



**Plate 2: Trench 3: south-east facing section of ditch terminus [305] and pit [301]**



**Plate 3: Trench 3: postholes [308], [310] and [312] from south**

#### 4.2.5 *Trench 4 (Figure 5)*

Two large irregular pit features of unknown date were revealed in Trench 4. Pit [401] ran under the north-east baulk of the trench. This feature was 2.40 m in length with a depth of 0.26 m. It had gently sloping slightly concave sides and a flat base. Its fill (402) was a light grey sand with occasional flecks of charcoal. A similar irregular pit feature, [403], ran under the south-western baulk. This appeared 1.14 m in width and was not excavated.

Two smaller, irregular pit or post-holes were also present. Feature [405] was 0.68 m long and 0.42 m wide. Though not excavated it may be associated with pit [407] to the immediate south-west. This feature was 0.30 m wide and 0.40 wide and also remained un-excavated.

#### 4.2.6 *Trench 5 (Figure 5)*

A large shallow, irregular pit or linear feature [501] ran across the width of the trench. It was shallow with concave sides, 0.15 m deep, with a flat irregular base. A maximum of 1.74 m wide, it contained a single fill (502) of orange brown sand with occasional charcoal flecks.

#### 4.2.7 *Trench 6 (Figure 6)*

Two parallel and immediately adjacent, and presumably associated, linear features [601] & [603] ran across the trench. Both features were 0.60 m in width and heavily truncated. A 0.50 m slot was excavated through [603] revealing a depth of 0.08 m, gently sloping sides and a rounded base. Both features were filled by dark brown sandy silt (602 & 604).

#### 4.2.8 *Trench 7 (Figure 6)*

This trench contained a single large, irregular sub-oval pit feature [701] emerging from the east-facing trench section. At 1.60 m long and 0.33 m wide it had steeply sloping sides and a rounded base. Its fill (702) was a medium brown sandy silt with occasional charcoal flecks.

#### 4.2.9 *Trench 8 (Figure 6)*

A single large sub-circular pit [801] was recorded in Trench 8. This feature was 1.56 m in length and 1.64 m wide with a maximum depth of 0.51 m. The pit had steeply sloping concave sides forming a slight lip near the surface and a slightly rounded base. It was filled by dark brown sandy silt contained occasional charcoal flecks and a small flint flake [SF 02].

#### 4.2.10 *Trench 9 (Figure 6)*

A sub-oval pit [901] lay adjacent to the south-east section of the trench. The feature had a visible width of 0.61 m and was 0.56 m long and 0.25 m deep. The sides were concave, slightly irregular and steeply sloping with a rounded base. The fill (902) was medium brown sandy silt.

#### 4.2.11 *Trenches 10, 11, 19 & 20 (Figure 7)*

These four trenches each contained a single linear ditch feature running south-east to north-west across the site. Slots were excavated within Trenches 11 and 19. In the latter linear

feature [1901] measured 0.74 m in width with a depth of 0.25 m. The sides were slightly concave and steeply sloping leading to a rounded base. The fill (1902) was dark brown sandy silt. This was repeated in the other trench fills. In Trench 11, linear [1101] appeared narrow in plan at 0.50 m and though clearly defined was heavily truncated with a depth of only 0.11 m.



**Plate 4: Trench 20: linear ditch [2001]**

#### **4.3 Area B (Figure 2)**

4.3.1 Fourteen trenches were dug in Area B. No significant archaeological material was observed in any of the trenches. Trenches 1 to 12 had a number of modern clay field drains running north to south and emptying into the burn. Several of the drain cuts were investigated. The topsoil in this area was shallow, only approximately 0.20 m deep. Several areas had standing water indicating poor drainage. Many of the trenches showed plough scars cutting the natural subsoil and it was obvious that the topsoil had been recently ploughed.

## **5 DISCUSSION**

5.1 The evaluation indicated that significant archaeological features exist on higher ground within Area A. The clusters of post-hole features and ditch [305] are suggestive of Bronze Age / Iron Age later prehistoric settlement comprising a ditched enclosure and timber post-built structures. However the presence of Grooved Ware may denote on-site Neolithic activity dating to the end of the fourth Millennium BC based on evidence from the nearby site at Milton of Leys (MacSween 2003). The presence of phased archaeology in Area A, as illustrated by the inter-cutting of features, and the multi-period archaeological landscape evidenced by sites in the

immediately surrounding area suggests the evidence unearthed by the evaluation probably represents a palimpsest of individual or suites of features of different periods. Identifying the full pattern of the archaeological distribution of non-nucleated groups of features, and their chronology, by evaluation trenching alone can only have limited success. Further archaeological works would be necessary if fully elucidating the archaeology present in Area 1.

- 5.2 The evaluation trenching in Area 2 proved entirely negative. Given its low-lying situation, poor drainage, shallow topsoil - and resultant plough scarring of the subsoil surface – the balance of probability is that this Area 2 is archaeological sterile.

## 6 RECOMMENDATIONS FOR FURTHER WORKS

- 6.1 Given the significant archaeological features and finds recovered during the Phase Stage 1 Evaluation, it is recommended that a mitigation strategy be prepared compliant with NPPG 5, PAN 42 and SPP 23. In line with current planning policy the preservation *in situ* of the archaeological material is the preferred option. However if the preservation of the archaeology *in situ* proves infeasible a further programme of archaeological mitigation works (*preservation by record*) comprising Phase 3 excavation fieldwork and any necessary post-excavation works will be required. The full scope and scale of these works would be defined by Highland Council, with the detailed methodology for their undertaking set out in further Written Schemes of Investigation.
- 6.2 The greater part (c.75 ha) of the proposed development area is yet to be assessed by intrusive archaeological evaluation. Only when these Phase 1 works have been completed will the full range of archaeological material and its distribution across the development area be known.

## 7 REFERENCES

AOC Archaeology Group 2008 *East Beechwood Farm Stage 1 Written Scheme of Investigation*  
AOC unpublished report.

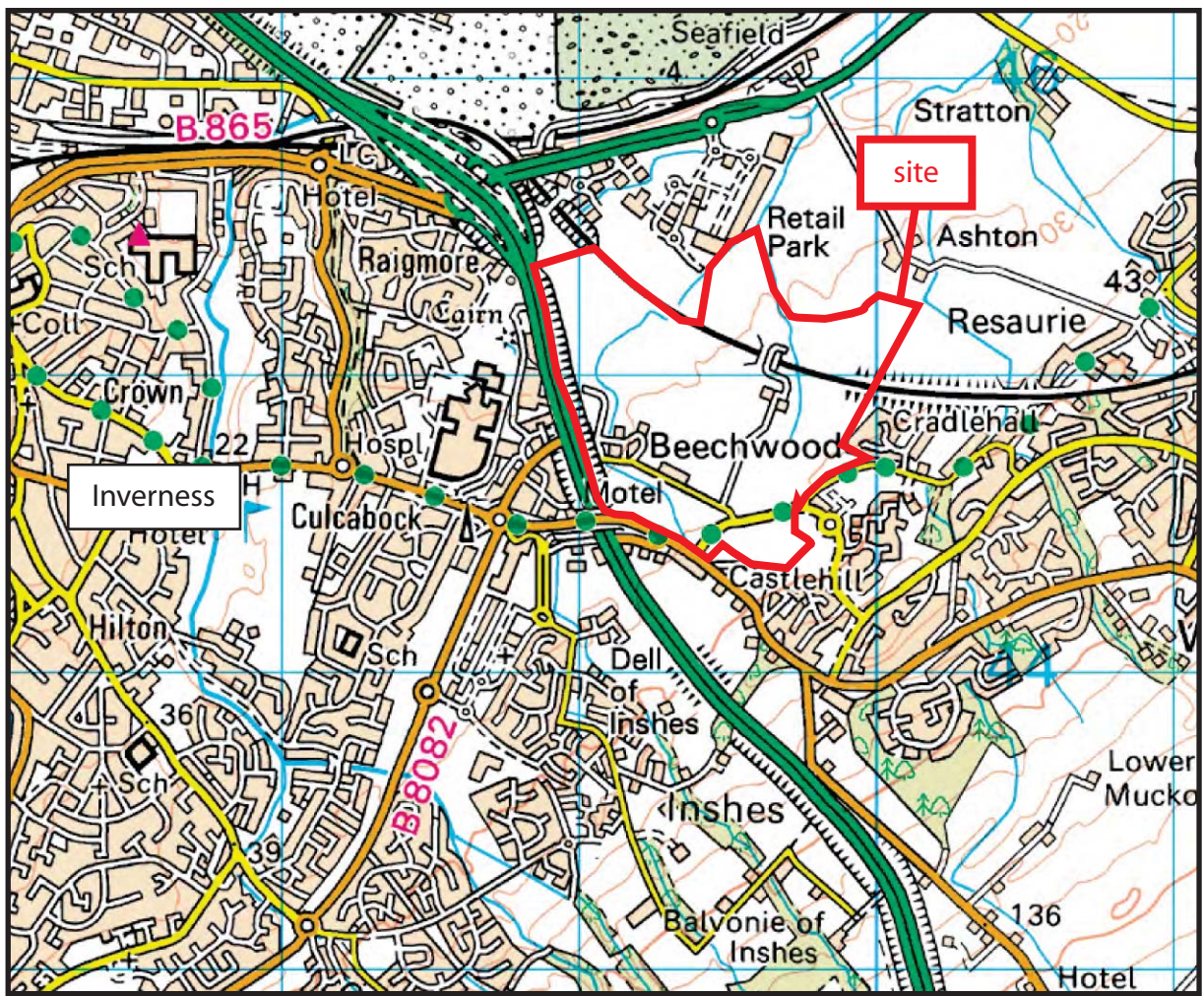
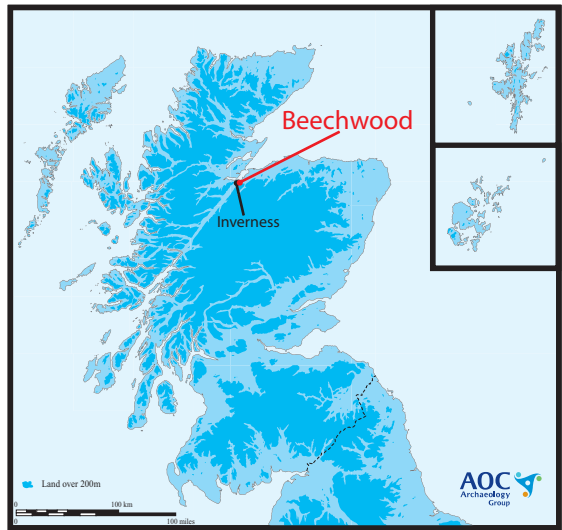
MacSween, A 2003 'Grooved Ware' in Conolly, R & MacSween 'A possible Neolithic settlement at Milton of Leys, Inverness'. *Proc Soc Antiq Scot* 133, 41-43.

Martilla, J & Oleksy, V 2008 *East Beechwood: Archaeological Assessment*. Unpubl AOC  
Archaeology client report.

The Scottish Office Environment Department 1994. *National Planning Policy Guideline NPPG5. Archaeology and Planning*. January 1994.

The Scottish Office Environment Department 1994a. *Planning Advice Note 42. Archaeology – the Planning Process and Scheduled Ancient Monument Procedures*. January 1994.

SSP 23 2008 *Scottish Planning Policy SPP 23: Planning and the Historic Environment: Consultative Draft*. The Scottish Government.

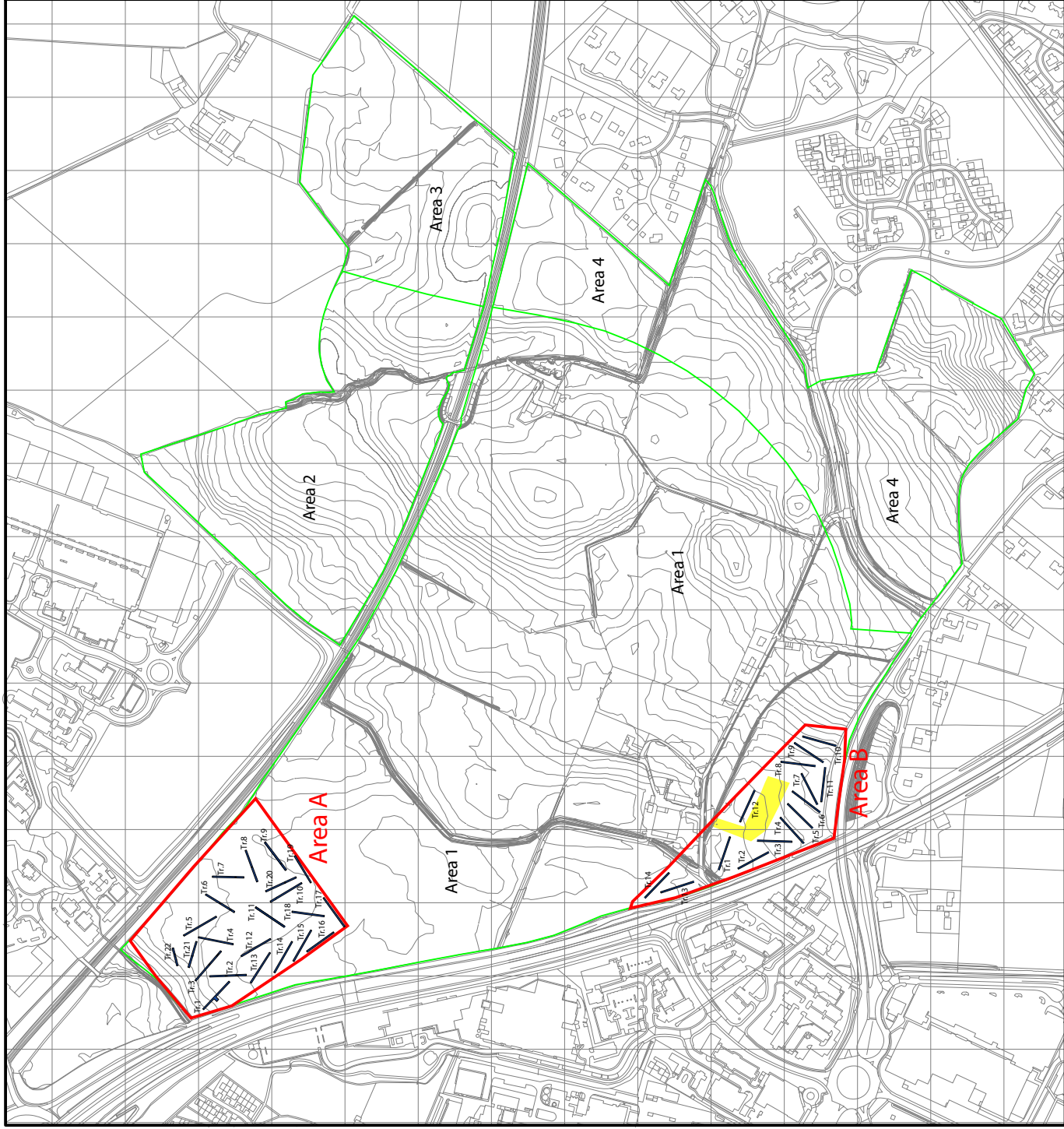


Reproduced from the Ordnance Survey 1:50000 scale map with the permission of the Controller of Her Majesty's Stationary Office. Crown copyright. AOC Archaeology Group, Edgefield Industrial Estate, Loanhead, Midlothian, EH 20 9SY. OS Licence no. 100023757

Figure 1: Site Location



Figure 10: Location of evaluation trenches within Areas A and B



- development areas
- evaluation areas
- evaluation trench
- service buffer zone



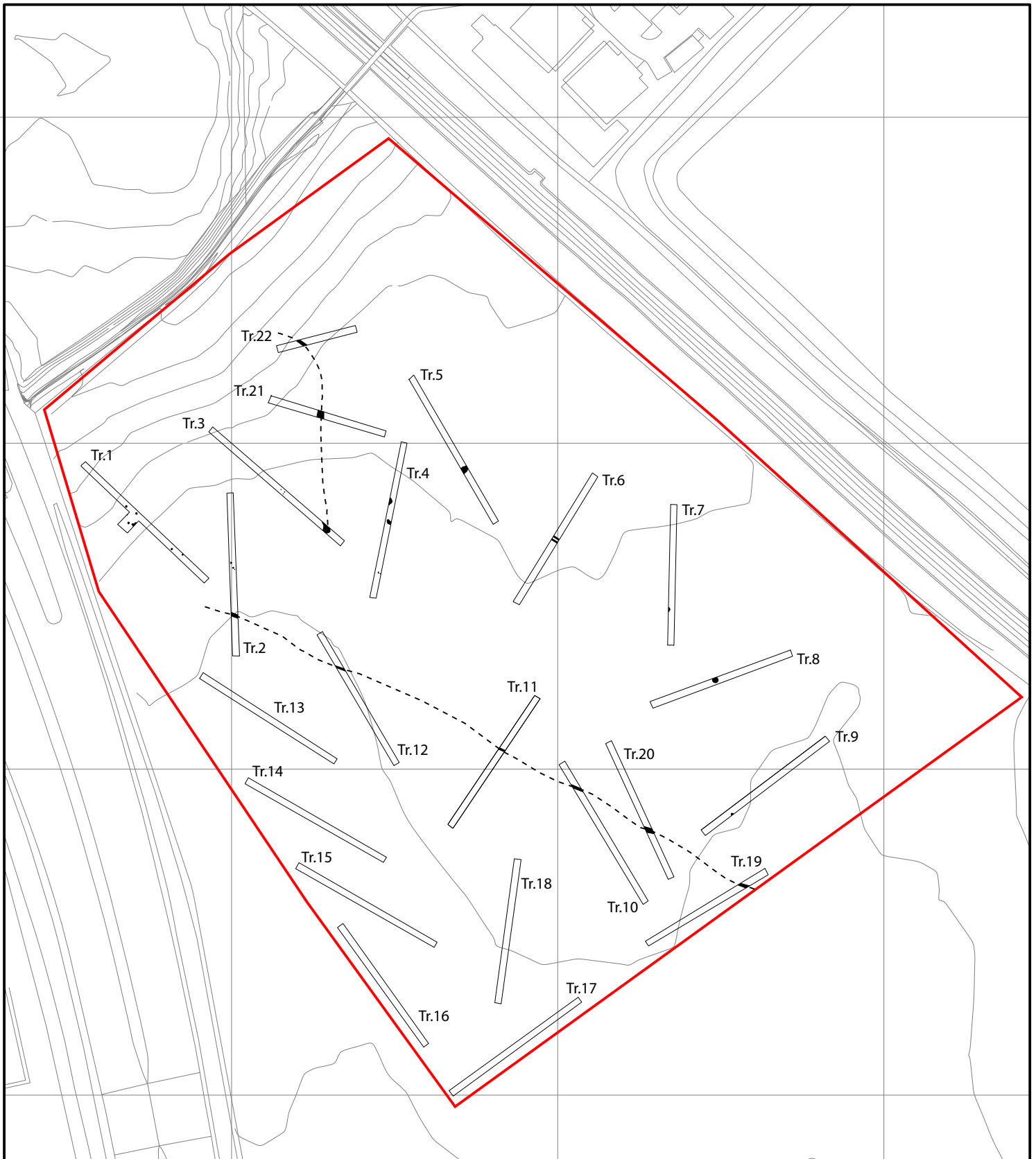
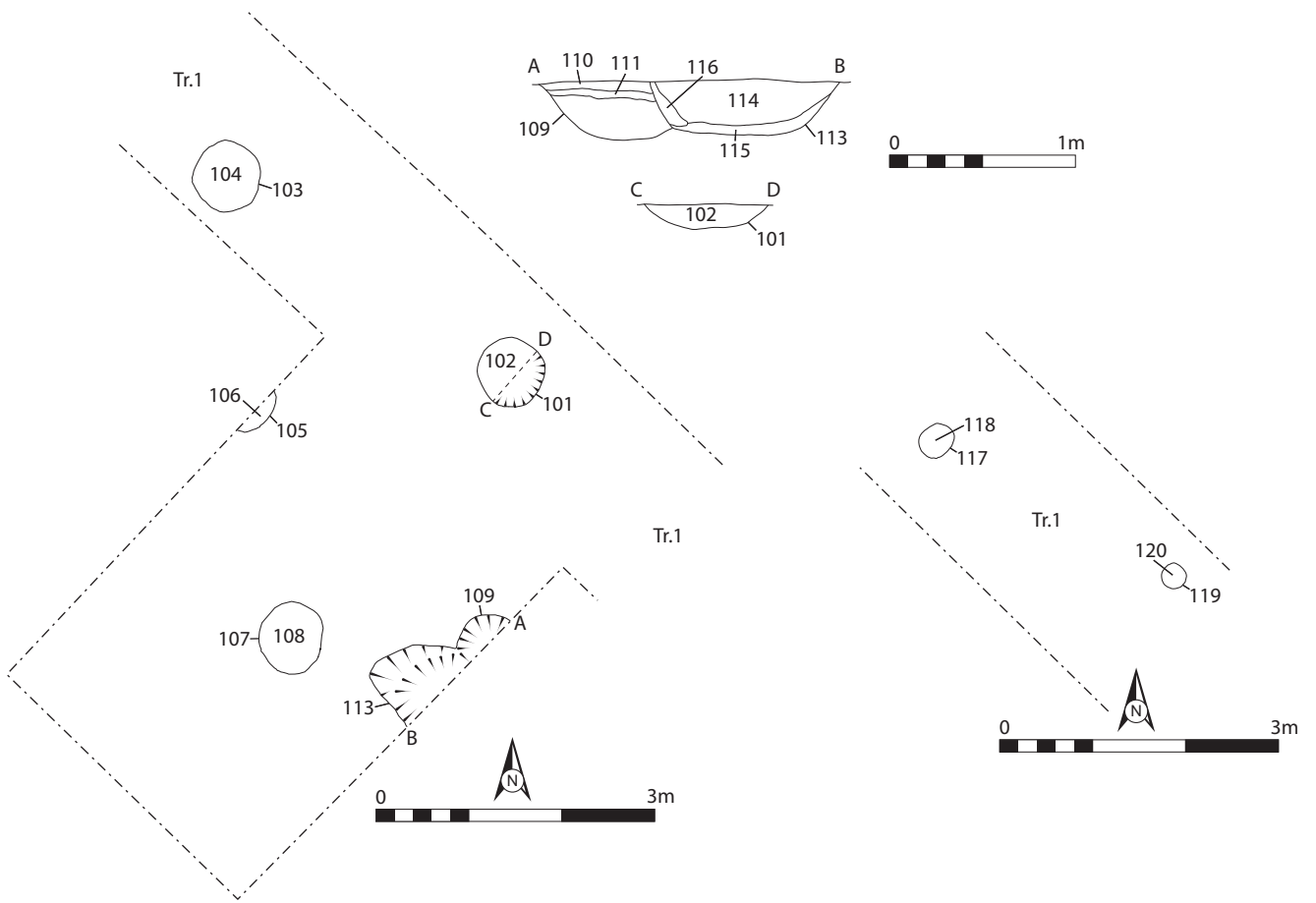


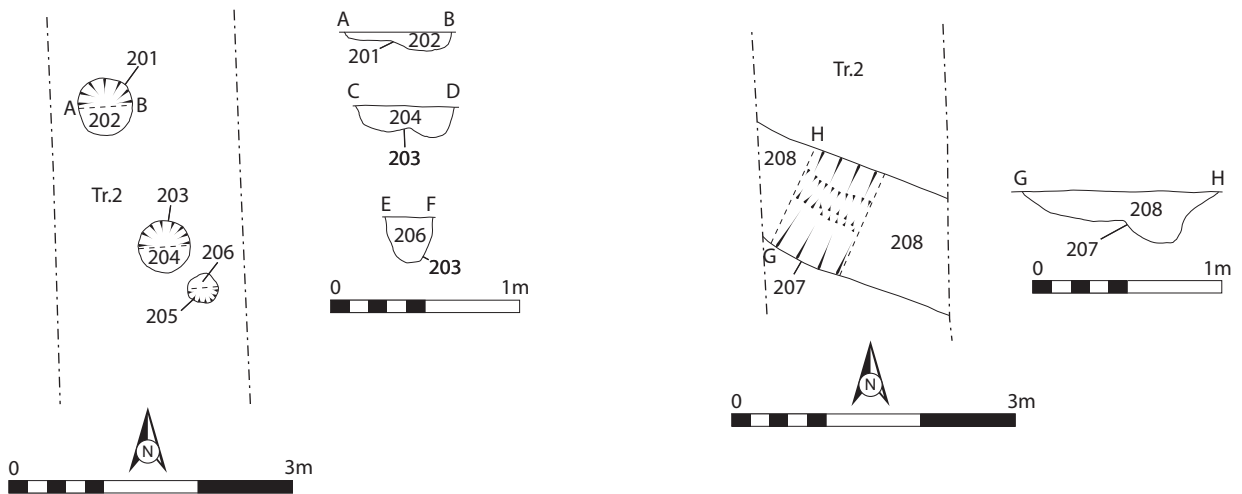
Figure 11: features within evaluation trenches of Area A

- evaluation areas
- evaluation trench
- archaeological features
- reconstruction





Trench1 and extension plans and sections



Trench 2 plans and sections

Figure 12: Plans and sections of areas of features within Trenches 1 and 2

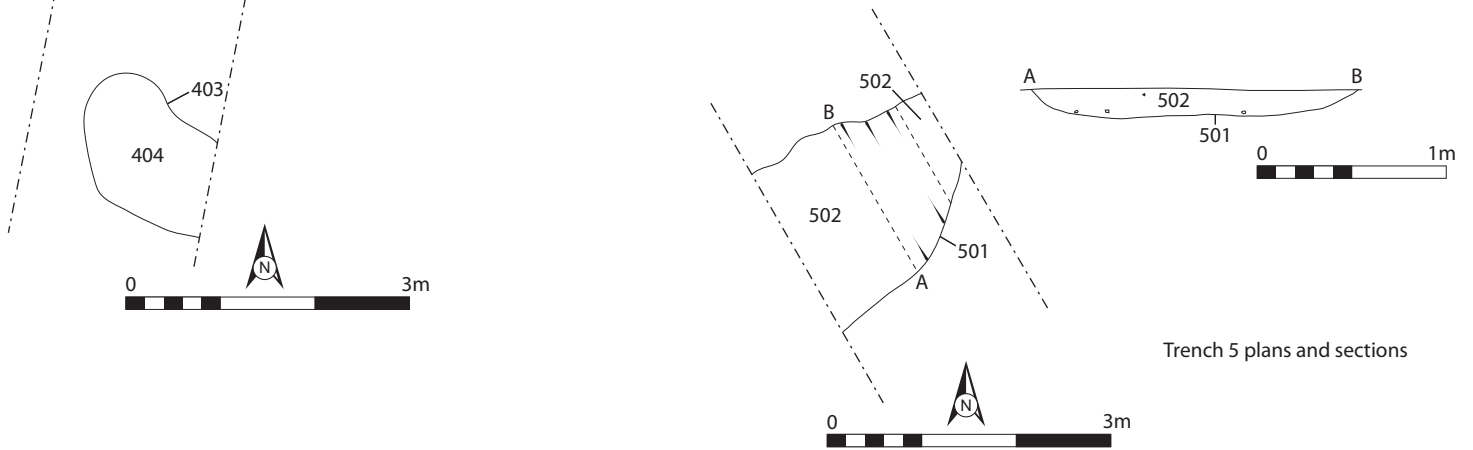
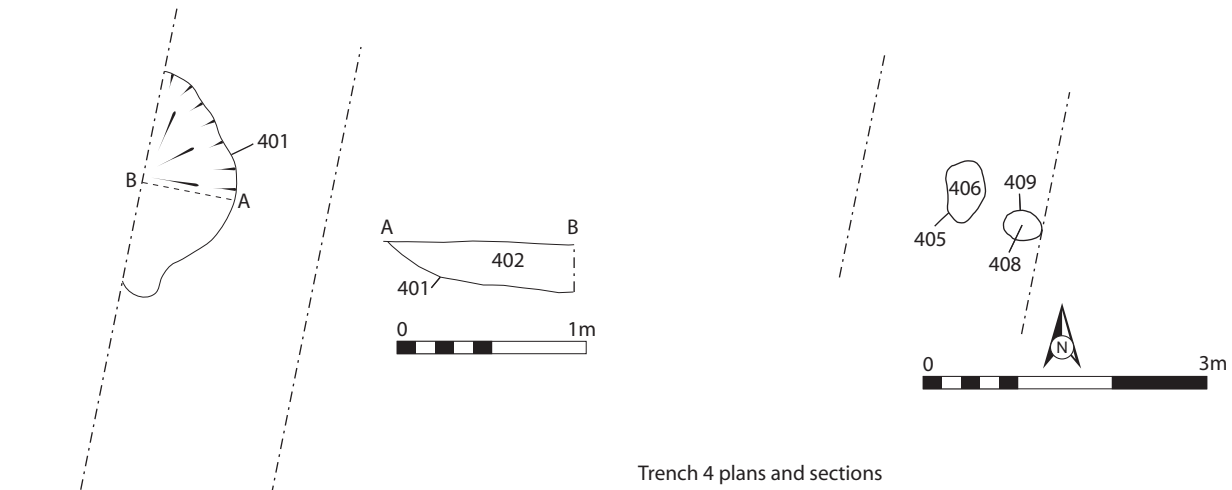
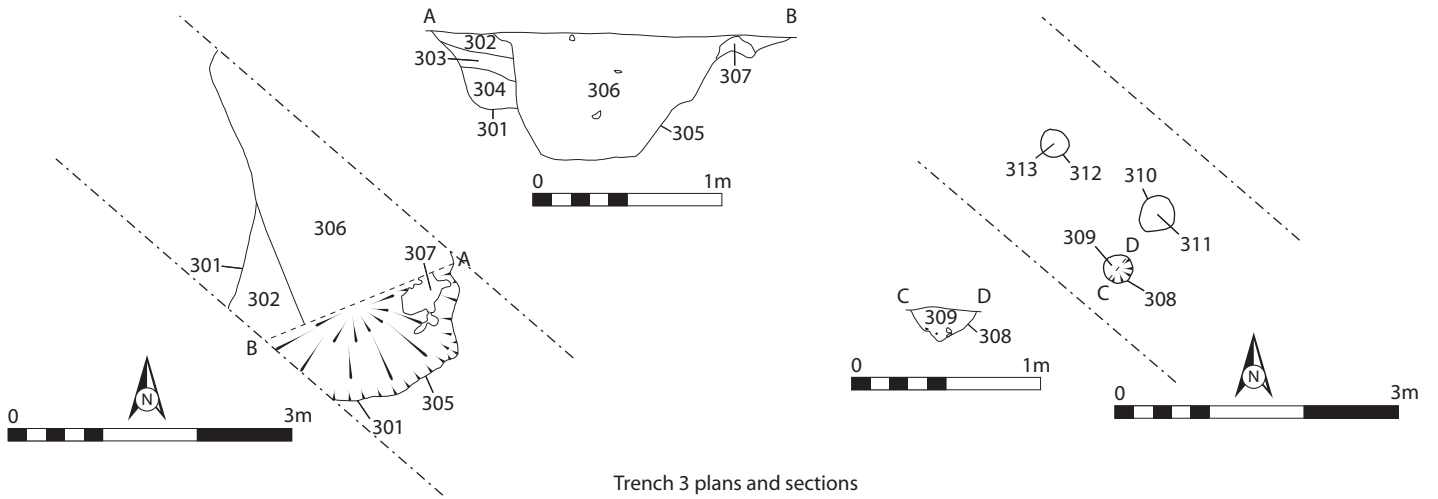
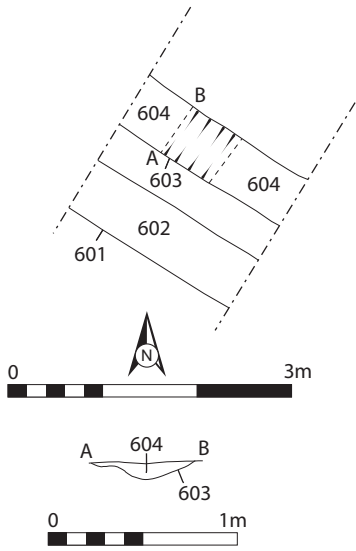
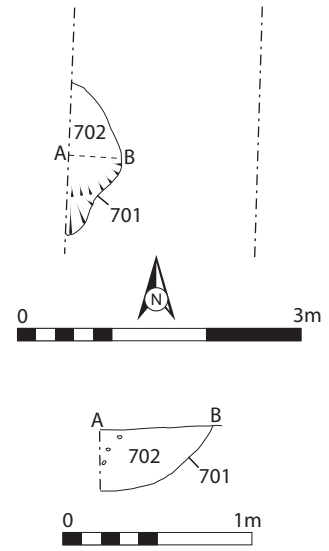


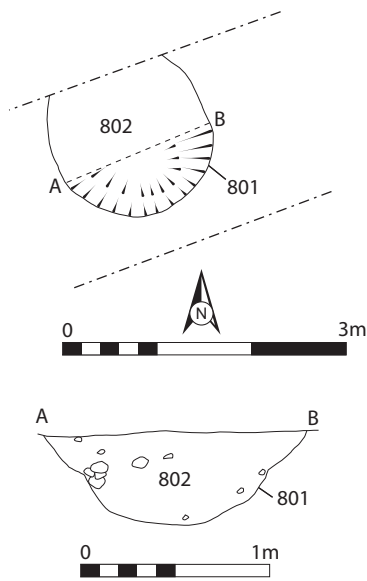
Figure 13: Plans and sections of areas of features within Trenches 3, 4 and 5



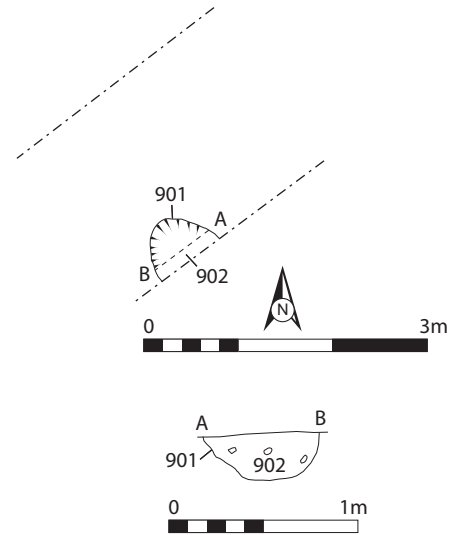
Trench 6 plans and sections



Trench 7 plans and sections



Trench 8 plans and sections



Trench 9 plans and sections

Figure 14: Plans and sections of areas of features within Trenches 6, 7, 8 and 9

# **East Beechwood Farm, Inverness, Highland Archaeological Evaluation**

## **Phase 1, Stage 1: Data Structure Report**

### **Section 2: Appendices**

## APPENDIX 1: Trench Descriptions

### Area A

#### Trench 1

<i>Dimensions</i>	50 m by 2 m (5 m by 5 m extension)
<i>Total Area</i>	100 m <sup>2</sup> (25 m <sup>2</sup> extension)
<i>Orientation</i>	NW/SE
<i>Depth of Topsoil</i>	0.35 m
<i>Depth of Excavation</i>	0.40 m
<i>Significant Features</i>	Heavy plough scars visible in subsoil. Four small circular/sub-circular posthole/pit features [101], [103], [105], [107] in NW end of trench and extension. Two intercutting pit features in N facing section of extension [109] and [113]. Two very small posthole features [117] and [119] in south end of trench.
<i>Subsoil</i>	Light-mid orange sandy gravel with occasional larger sub-rounded stones.
<i>Finds</i>	One sherd of prehistoric pottery from (102), several sherds of prehistoric pottery from (111).

#### Trench 2

<i>Dimensions</i>	50 m by 2 m
<i>Total Area</i>	100 m <sup>2</sup>
<i>Orientation</i>	NNE/SSW
<i>Depth of Topsoil</i>	0.35 m
<i>Depth of Excavation</i>	0.55 m
<i>Significant Features</i>	Three small circular pit/posthole features [201], [203], [205], in a group in N end of trench. Linear feature [207] aligned roughly E/W across S end of trench.
<i>Subsoil</i>	Light-mid orange sandy gravel with very occasional larger sub-rounded stones.
<i>Finds</i>	Very occasional fragments of modern white china in topsoil.

#### Trench 3

<i>Dimensions</i>	50 m by 2 m
<i>Total Area</i>	100 m <sup>2</sup>
<i>Orientation</i>	NW/SE
<i>Depth of Topsoil</i>	0.30 m
<i>Depth of Excavation</i>	0.40-0.50 m
<i>Significant Features</i>	Heavy bioturbation in subsoil in form of root holes and burrows. Terminus of linear feature [305] which may truncate a pit or linear re-cut [301] in SE end of trench. Three small circular pit/posthole features [308], [310] and [312] in NW end of trench.
<i>Subsoil</i>	Light yellow orange clay silt and sandy gravel with very occasional larger sub-rounded stones.
<i>Finds</i>	Very occasional fragments of modern white china in topsoil.

#### Trench 4

<i>Dimensions</i>	50 m by 2 m
<i>Total Area</i>	100 m <sup>2</sup>
<i>Orientation</i>	NE/SW
<i>Depth of Topsoil</i>	0.30 m
<i>Depth of Excavation</i>	0.50 m
<i>Significant Features</i>	Two large irregularly shaped pits [401] and [403] and 2 possible postholes [405] and [407].
<i>Subsoil</i>	Light orange sand with occasional small sub-rounded stones.
<i>Finds</i>	None observed.

#### Trench 5

<i>Dimensions</i>	50 m by 2 m
<i>Total Area</i>	100 m <sup>2</sup>
<i>Orientation</i>	SE/NW

*Depth of Topsoil* 0.30 m  
*Depth of Excavation* 0.50 m  
*Significant Features* One large irregularly shaped feature [501] which may be either linear or a pit.  
*Subsoil* Light-mid orange sandy gravel with very occasional larger sub-rounded stones.  
*Finds* Very occasional fragments of modern white china in topsoil.

**Trench 6**

*Dimensions* 50 m by 2 m  
*Total Area* 100 m<sup>2</sup>  
*Orientation* NE/SW  
*Depth of Topsoil* 0.35 m  
*Depth of Excavation* 0.55 m  
*Significant Features* Two narrow linear features [601] and [603].  
*Subsoil* Light-mid orange sandy gravel with very occasional larger sub-rounded stones.  
*Finds* Very occasional fragments of modern white china in topsoil.

**Trench 7**

*Dimensions* 50 m by 2 m  
*Total Area* 100 m<sup>2</sup>  
*Orientation* SSE/NNW  
*Depth of Topsoil* 0.30 m  
*Depth of Excavation* 0.50 m  
*Significant Features* One large irregular/sub-oval pit [701] running under east facing section.  
*Subsoil* Light-mid orange sandy gravel with very occasional larger sub-rounded stones.  
*Finds* None observed.

**Trench 8**

*Dimensions* 50 m by 2 m  
*Total Area* 100 m<sup>2</sup>  
*Orientation* NE/SW  
*Depth of Topsoil* 0.35 m  
*Depth of Excavation* 0.55 m  
*Significant Features* One large circular pit feature [801] in middle of trench.  
*Subsoil* Light-mid orange sandy gravel with very occasional larger sub-rounded stones.  
*Finds* One flake of flint recovered from (802).

**Trench 9**

*Dimensions* 50 m by 2 m  
*Total Area* 100 m<sup>2</sup>  
*Orientation* NE/SW  
*Depth of Topsoil* 0.35 m  
*Depth of Excavation* 0.55 m  
*Significant Features* One modern rectangular feature at very SW end of trench. 1 sub-oval pit in SW end of trench.  
*Subsoil* Light-mid orange sandy gravel with very occasional larger sub-rounded stones.  
*Finds* None observed.

**Trench 10**

*Dimensions* 50 m by 2 m  
*Total Area* 100 m<sup>2</sup>  
*Orientation* SE/NW  
*Depth of Topsoil* 0.35 m  
*Depth of Excavation* 0.60 m  
*Significant Features* No significant archaeology.



*Subsoil* Light-mid orange sandy gravel with very occasional larger sub-rounded stones.  
*Finds* Very occasional fragments of modern white china observed in topsoil.

**Trench 11**

*Dimensions* 50 m by 2 m  
*Total Area* 100 m<sup>2</sup>  
*Orientation* NE/SW  
*Depth of Topsoil* 0.35 m  
*Depth of Excavation* 0.55 m  
*Significant Features* One narrow linear feature observed running SE/NW across trench.  
*Subsoil* Light-mid orange sandy gravel with very occasional larger sub-rounded stones.  
*Finds* Very occasional fragments of modern white china observed in topsoil.

**Trench 12**

*Dimensions* 50 m by 2 m  
*Total Area* 100 m<sup>2</sup>  
*Orientation* NW/SE  
*Depth of Topsoil* 0.35 m  
*Depth of Excavation* 0.60 m  
*Significant Features* No significant archaeology.  
*Subsoil* Light-mid orange sandy gravel with very occasional larger sub-rounded stones.  
*Finds* None observed.

**Trench 13**

*Dimensions* 50 m by 2 m  
*Total Area* 100 m<sup>2</sup>  
*Orientation* SE/NW  
*Depth of Topsoil* 0.30 m  
*Depth of Excavation* 0.40 m  
*Significant Features* No significant archaeology.  
*Subsoil* Light-mid orange hard gravel with very occasional larger sub-rounded stones.  
*Finds* Very occasional fragments of modern white china observed in topsoil.

**Trench 14**

*Dimensions* 50 m by 2 m  
*Total Area* 100 m<sup>2</sup>  
*Orientation* W/E  
*Depth of Topsoil* 0.35 m  
*Depth of Excavation* 0.50 m  
*Significant Features* No significant archaeology.  
*Subsoil* Light-mid orange silty sands and gravel with very occasional larger sub-rounded stones.  
*Finds* Very occasional fragments of modern white china and glass observed in topsoil.

**Trench 15**

*Dimensions* 50 m by 2 m  
*Total Area* 100 m<sup>2</sup>  
*Orientation* W/E  
*Depth of Topsoil* 0.30-0.35 m  
*Depth of Excavation* 0.40-0.50 m  
*Significant Features* No significant archaeology.  
*Subsoil* Light-mid orange sandy gravel with very occasional larger sub-rounded stones.  
*Finds* Very occasional fragments of modern white china observed in topsoil.

**Trench 16**

*Dimensions* 50 m by 2 m  
*Total Area* 100 m<sup>2</sup>  
*Orientation* NW/SE  
*Depth of Topsoil* 0.30 m  
*Depth of Excavation* 0.45 m  
*Significant Features* No significant archaeology.  
*Subsoil* Light-mid orange sandy gravel with very occasional larger sub-rounded stones.  
*Finds* None observed.

**Trench 17**

*Dimensions* 50 m by 2 m  
*Total Area* 100 m<sup>2</sup>  
*Orientation* SW/NE  
*Depth of Topsoil* 0.35 m  
*Depth of Excavation* 0.45-0.50 m  
*Significant Features* No significant archaeology.  
*Subsoil* Light-mid orange sandy gravel with very occasional larger sub-rounded stones.  
*Finds* None observed.

**Trench 18**

*Dimensions* 50 m by 2 m  
*Total Area* 100 m<sup>2</sup>  
*Orientation* N/S  
*Depth of Topsoil* 0.35 m  
*Depth of Excavation* 0.55 m  
*Significant Features* No significant archaeology.  
*Subsoil* Light-mid orange sandy gravel with very occasional larger sub-rounded stones.  
*Finds* Very occasional fragments of modern white china observed in topsoil.

**Trench 19**

*Dimensions* 50 m by 2 m  
*Total Area* 100 m<sup>2</sup>  
*Orientation* SSW/NNE  
*Depth of Topsoil* 0.35 m  
*Depth of Excavation* 0.45-0.60 m  
*Significant Features* One linear feature [1901] running SE/NW across trench (may be same linear as in Trench 11).  
*Subsoil* Light-mid orange sandy gravel with very occasional larger sub-rounded stones.  
*Finds* None observed.

**Trench 20**

*Dimensions* 50 m by 2 m  
*Total Area* 100 m<sup>2</sup>  
*Orientation* E/W  
*Depth of Topsoil* 0.35 m  
*Depth of Excavation* 0.45 m  
*Significant Features* One linear feature [2001] running SE/NW across trench (may be same linear as [1901] and [1101]).  
*Subsoil* Light-mid orange sandy gravel with very occasional larger sub-rounded stones.  
*Finds* None observed.

**Trench 21**

*Dimensions* 38 m by 2 m

<i>Total Area</i>	76 m <sup>2</sup>
<i>Orientation</i>	E/W
<i>Depth of Topsoil</i>	0.30 m
<i>Depth of Excavation</i>	0.50 m
<i>Significant Features</i>	One linear feature observed [2101], not very clearly defined but may relate to possible enclosure ditch seen in Trenches 2 and 3.
<i>Subsoil</i>	Light-mid orange sandy gravel with very occasional larger sub-rounded stones.
<i>Finds</i>	Very occasional fragments of modern white china observed in topsoil.

#### **Trench 22**

<i>Dimensions</i>	25 m by 2 m
<i>Total Area</i>	50 m <sup>2</sup>
<i>Orientation</i>	NE/SW
<i>Depth of Topsoil</i>	0.30 m
<i>Depth of Excavation</i>	0.40 m
<i>Significant Features</i>	Two possible linear features observed [2201] and [2203] which may relate to ditches seen in Trenches 21, 2 and 3.
<i>Subsoil</i>	Light-mid orange sandy gravel with very occasional larger sub-rounded stones.
<i>Finds</i>	Very occasional fragments of modern white china observed in topsoil.

### **Area B**

#### **Trench 1**

<i>Dimensions</i>	50 m by 2 m
<i>Total Area</i>	100 m <sup>2</sup>
<i>Orientation</i>	W/E
<i>Depth of Topsoil</i>	0.40 m
<i>Depth of Excavation</i>	0.45 m
<i>Features</i>	One rubble field drain observed aligned N/S at 2 m from east end of trench.
<i>Subsoil</i>	Light brown gravel and sand with very occasional larger sub-rounded stones.
<i>Finds</i>	Occasional fragments of modern white china and glass observed in topsoil.

#### **Trench 2**

<i>Dimensions</i>	50 m by 2 m
<i>Total Area</i>	100 m <sup>2</sup>
<i>Orientation</i>	NNW/SSE
<i>Depth of Topsoil</i>	0.30 m
<i>Depth of Excavation</i>	0.35 m
<i>Significant Features</i>	No significant archaeology.
<i>Subsoil</i>	Light brown gravel with large lenses of sand and very occasional larger sub-rounded stones.
<i>Finds</i>	Occasional fragments of modern white china and glass observed in topsoil.

#### **Trench 3**

<i>Dimensions</i>	50 m by 2 m
<i>Total Area</i>	100 m <sup>2</sup>
<i>Orientation</i>	NNE/SSW
<i>Depth of Topsoil</i>	0.25-0.35 m
<i>Depth of Excavation</i>	0.30-0.40 m
<i>Features</i>	One ceramic field drain observed aligned NE/SW at 4 m from NNE end of trench.
<i>Subsoil</i>	Light brown gravel and sand with occasional larger sub-rounded stones.
<i>Finds</i>	None observed.

**Trench 4**

<i>Dimensions</i>	50 m by 2 m
<i>Total Area</i>	100 m <sup>2</sup>
<i>Orientation</i>	NNE/SSW
<i>Depth of Topsoil</i>	0.25-0.30 m
<i>Depth of Excavation</i>	0.30-0.35 m
<i>Significant Features</i>	No significant archaeology.
<i>Subsoil</i>	Light brown gravel and sand with very occasional larger sub-rounded stones.
<i>Finds</i>	None observed.

**Trench 5**

<i>Dimensions</i>	50 m by 2 m
<i>Total Area</i>	100 m <sup>2</sup>
<i>Orientation</i>	SSW/NNE
<i>Depth of Topsoil</i>	0.25-0.35 m
<i>Depth of Excavation</i>	0.30-0.35 m
<i>Significant Features</i>	No significant archaeology.
<i>Subsoil</i>	Light brown gravel and sand with very occasional larger sub-rounded stones.
<i>Finds</i>	Very occasional fragments of modern white china observed in topsoil.

**Trench 6**

<i>Dimensions</i>	50 m by 2 m
<i>Total Area</i>	100 m <sup>2</sup>
<i>Orientation</i>	NNW/SSE
<i>Depth of Topsoil</i>	0.30-0.35 m
<i>Depth of Excavation</i>	0.35-0.45 m
<i>Significant Features</i>	No significant archaeology.
<i>Subsoil</i>	Light brown gravel and sand with occasional larger sub-rounded stones.
<i>Finds</i>	None observed.

**Trench 7**

<i>Dimensions</i>	50 m by 2 m
<i>Total Area</i>	100 m <sup>2</sup>
<i>Orientation</i>	SSW/NNE
<i>Depth of Topsoil</i>	0.20-0.25 m
<i>Depth of Excavation</i>	0.25-0.30 m
<i>Features</i>	Twp field drains observed aligned NE/SW and ENE/WSW at 5 m and 6 m from SSW end of trench, they join in the W section of the trench.
<i>Subsoil</i>	Light brown gravel and sand with very occasional larger sub-rounded stones.
<i>Finds</i>	Occasional fragments of modern white china and glass observed in topsoil.

**Trench 8**

<i>Dimensions</i>	50 m by 2 m
<i>Total Area</i>	100 m <sup>2</sup>
<i>Orientation</i>	NNE/SSW
<i>Depth of Topsoil</i>	0.25-0.40 m
<i>Depth of Excavation</i>	0.30-0.45 m
<i>Significant Features</i>	No significant archaeology.
<i>Subsoil</i>	Light brown gravel and sand with occasional larger sub-rounded stones.
<i>Finds</i>	Very occasional fragments of modern white china observed in topsoil.

**Trench 9**

<i>Dimensions</i>	50 m by 2 m
-------------------	-------------

<i>Total Area</i>	100 m <sup>2</sup>
<i>Orientation</i>	NNE/SSW
<i>Depth of Topsoil</i>	0.30 m
<i>Depth of Excavation</i>	0.35 m
<i>Significant Features</i>	No significant archaeology.
<i>Subsoil</i>	Light brown gravel and sand with very occasional larger sub-rounded stones.
<i>Finds</i>	None observed.

**Trench 10**

<i>Dimensions</i>	50 m by 2 m
<i>Total Area</i>	100 m <sup>2</sup>
<i>Orientation</i>	SSE/NNW
<i>Depth of Topsoil</i>	0.25 m
<i>Depth of Excavation</i>	0.35 m
<i>Features</i>	One ceramic field drain observed aligned SE/NW between 0 m and 3 m from SSE end of trench. Two rubble field drains running SE/NW and E/W at 13 m and 38.1 m from SSE end of trench.
<i>Subsoil</i>	Light brown gravel and sand with occasional larger sub-rounded stones.
<i>Finds</i>	Occasional fragments of modern white china observed in topsoil.

**Trench 11**

<i>Dimensions</i>	50 m by 2 m
<i>Total Area</i>	100 m <sup>2</sup>
<i>Orientation</i>	W/E
<i>Depth of Topsoil</i>	0.25-0.30 m
<i>Depth of Excavation</i>	0.35 m
<i>Significant Features</i>	No significant archaeology.
<i>Subsoil</i>	Light brown gravel and sand with very occasional larger sub-rounded stones.
<i>Finds</i>	None observed.

**Trench 12**

<i>Dimensions</i>	50 m by 2 m
<i>Total Area</i>	100 m <sup>2</sup>
<i>Orientation</i>	E/W
<i>Depth of Topsoil</i>	0.25 m
<i>Depth of Excavation</i>	0.30 m
<i>Significant Features</i>	One rubble field drain observed aligned SW/NE at 20 m from E end of trench.
<i>Subsoil</i>	Light brown gravel and sand with very occasional larger sub-rounded stones.
<i>Finds</i>	Very occasional fragments of modern white china observed in topsoil.

**Trench 13**

<i>Dimensions</i>	50 m by 2 m
<i>Total Area</i>	100 m <sup>2</sup>
<i>Orientation</i>	S/N
<i>Depth of Topsoil</i>	0.25-0.30 m
<i>Depth of Excavation</i>	0.30-0.50 m
<i>Significant Features</i>	Pale brown silt hillwash occurs from 15 m from the S end of the trench and runs right to the N end. No significant archaeology.
<i>Subsoil</i>	Light-mid orange sandy clay with very occasional larger sub-rounded stones.
<i>Finds</i>	None observed.

**Trench 14**

<i>Dimensions</i>	50 m by 2 m
-------------------	-------------

<i>Total Area</i>	100 m <sup>2</sup>
<i>Orientation</i>	NW/SE
<i>Depth of Topsoil</i>	0.30 m
<i>Depth of Excavation</i>	0.40-0.50 m
<i>Features</i>	Pale brown silt hillwash again observed from 7 m to 38 m from the NW end of the trench. No significant archaeology.
<i>Subsoil</i>	Light grey sandy clay and gravel at NW end of trench changing to light orange clay and gravel at the SE end.
<i>Finds</i>	Very occasional fragments of modern white china observed in topsoil.

## APPENDIX 2: Photographic Register

Colour Print and Digital Film 1

Frame	Area/Trench	Description	From
1-3	A Trench 3	Slot through ditch terminus [301] – [305]	SE
4	A Trench 8	Half section through pit [801]	S
5	A Trench 9	Half section through small pit [901]	N
6	A Trench 9	Half section through modern feature	NE
7	A Trench 9	General trench shot	ENE
8	A Trench 7	Half section through irregular pit [701]	SE
9	A Trench 5	Half section through pit/feature [501]	W
10	A Trench 4	North-east facing section through pit	NE
11	A Trench 3	Half sectioned post-holes [308]-[310]-[312]	S
12	A Trench 2	Half sectioned post-holes [201]-[203]-[205]	NW
13	A Trench 2	South-east facing section through linear ditch feature [207]	SE
14	A Trench 1	South facing section of [101] with post-hole [103] in background	S
15	A Trench 1	Shot of features [107]-[109]-[113] with [101] in background	W
16	A Trench 1	Shot of post-holes [117]-[119]	SE
17	B Trench 13	General trench shot	SW
18	B Trench 13	General trench shot trench 13 & 14	NW
19	B Trench 1	General trench shot	SE
20	B Trench 12	General trench shot	SW
21	B Trench 10	General trench shot	SSE
22	B Trench 7	Ceramic field drain in trench 7	SE
23	B Trench 7	General trench shot	N
24	B Trench 4	General trench shot	NNW
25	B	General area shot	NW
26	A Trench 20	General trench shot showing linear	SSW
27	A Trench 19	General trench shot showing linear	E
28	A Trench 19	South-east facing section through linear	SE
29	A Trench 11	Linear [1101]	SW
30	A Trench 11	Linear [1101] west facing section	W
31	A Trench 20	Linear [2001]	NW
32	A Trench 20	Linear [2001]	NE
33	A Trench 19	Linear [1901]	N
34	A Trench 19	Linear [1101] east facing section	E
35	A Trench 6	General trench shot	SE
36	A Trench 9	General trench shot	SE
37	A Trench 13	Linear [1301]	SW
38	A Trench 13	General trench shot	SW

39	A Trench 14	Backfilled	E
40	A Trench 14	General trench shot	SW

## APPENDIX 3: Context Register

Context Number	Type	Description
101	Cut	Small roughly circular feature in plan. BST= sharp, sides = shallow and concave, BSB= gradual, base = very slightly rounded. Width = 0.68 m, length = 0.76 m, depth = 0.13 m. Cut of small pit/posthole filled by (102).
102	Fill	Mid grey brown soft sandy silt with occasional small pebbles and a small lens of sandier material at the top. Very occasional flecks of charcoal also visible. One fragment of possibly prehistoric pottery recovered. Fill of pit/posthole [101].
103	Cut	Circular cut of probable posthole feature. Width = 0.60 m, length= 0.60 m, depth= unknown at present. Filled by (104). Probably late prehistoric.
104	Fill	Mid brown soft silty sand with frequent small sub-rounded stones/gravel. Fill of [103].
105	Cut	Probably circular cut feature visible only in the very north edge of trench 1 extension. Only 0.16 m visible. Probable posthole similar to [103]. Filled by (106).
106	Fill	Mid brown soft silty sand with frequent small sub-rounded stones/gravel. Fill of [105].
107	Cut	Circular cut feature within extension of Trench 1. Width= 0.70 m, length = 0.70 m, depth = unknown at present. Filled by (108). Probable posthole similar to [103] and [105].
108	Fill	Mid brown sandy silt with darker organic patches, very occasional fragments of daub/pot visible. Fill of [107].
109	Cut	Cut feature within north facing section of Trench 1 extension. Shape in plan uncertain at present. Steep sloping sides and rounded base. Visible dimensions width= 0.40 m, length = 0.70 m, depth= 0.32 m. Filled by (110), (111), (112). Truncated on the west by [113].
110	Fill	Compact mid brown sandy silt. Maximum depth= 0.08 m. Fill of [109].
111	Fill	Dark brown sandy silt with high organic content, occasional small sub-rounded stones. Max depth= 0.10 m. Numerous sherds of prehistoric pot recovered. Similar to (116). Fill of [109].
112	Fill	Primary fill of pit [109]. Light brown sandy silt (80% sand) and pea gravel. Max depth= 0.30 m. Similar to (115).
113	Cut	Irregular oval cut feature in north facing section of Trench 1 extension. Irregular moderately steep sloping sides and gently rounded base. Length= 1.10 m, width= unknown at present, depth = 0.35m. Filled by (114), (115), and (116). Truncates pit [109] to the east.
114	Fill	Compact mid brown sandy silt, very similar to (110). Max depth= 0.35 m. Fill of [113].
115	Fill	Primary fill of pit [113]. Light brown sandy silt and pea gravel, very similar to (112). Max depth= 0.10 m. Abuts (116). Fill of (113).
116	Fill	Visible in the east edge of pit only. Dark brown sandy silt with high organic content and occasional small sub-rounded stones. Similar to (111). Fill of [113].
117	Cut	Circular cut of probable posthole feature. Width= 0.30 m, length= 0.30 m, depth= unknown at present. Filled by (118). Probably late prehistoric associated with other features in trench 1.
118	Fill	Dark brown compact sandy silt. Fill of [117].
119	Cut	Circular cut of probable posthole feature. Width= 0.25 m, length= 0.25 m, depth= unknown at present. Filled by (120). Probably late prehistoric associated with other features in Trench 1.
120	Fill	Dark brown compact sandy silt. Fill of [119].
201	Cut	Circular cut feature. Moderately steep sloping sides and narrow rounded base. Width= 0.50 m, length= 0.50 m, depth= 0.12 m. Pit/posthole probably



		late prehistoric and associated with [203] and [205] to SW. Filled by (202).
202	Fill	Compact mid brown sandy silt with occasional sub-rounded stones /gravel. Width= 0.50 m, length= 0.50 m, depth= 0.12 m. Single fill of [201].
203	Cut	Circular cut feature to SW of [201]. Moderately steep sloping sides and narrow rounded base. Width= 0.50 m, length= 0.50 m, depth= 0.18 m. Probably late prehistoric pit /posthole and associated with [201] and [205]. Filled by (204).
204	Fill	Compact mid brown sandy silt with occasional sub-rounded stones. Width= 0.50 m, length= 0.50 m, depth= 0.18 m. Single fill of [203].
205	Cut	Small circular cut feature adjacent to [203]. BST= sharp, sides= steep and slightly concave, BSB= gradual, base= slightly rounded. Width= 0.25 m, length= 0.25 m, depth= 0.25 m. Filled by (206). Probably late prehistoric posthole associated with [201] and [203].
206	Fill	Compact dark brown sandy silt, heavily bioturbated. Width= 0.25 m, length= 0.25 m, depth= 0.25 m. Single fill of [205].
207	Cut	Linear cut feature running E/W across Trench 2. NW slope regular and moderately steep, SE slope more irregular with root bioturbation and also moderately steep. Narrow <i>ankle-breaker</i> with severe sloping sides, 0.35 m wide seen in base. Width= 1.0 m, length= 2 m visible, depth= 0.35 m. Filled by (208). Possible enclosure ditch of unknown date, probably late prehistoric.
208	Fill	Mid brown sandy silt with occasional stones bioturbated by large roots on S edge. Width= 1.0 m, length= 2 m visible, depth= 0.35 m. Fill of [207].
301	Cut	Cut feature, shape unknown in plan – truncated by linear [305] and runs under E baulk of trench 3. BST= sharp, sides= quite shallow at top, then dropping steeply and concave, BSB= gradual, Base= appears to be quite flat but difficult to tell due to truncation. Width= unknown, length= unknown, depth= 0.40 m. Filled by (302), (303), (304). Possible pit feature heavily truncated by linear [305].
302	Fill	Light yellow brown soft sand with occasional small pebbles. A thin lens of organic/charcoal material observed towards the bottom of the fill. Width= 0.43 m visible, length= unknown, depth= 0.11 m. Fill of [301].
303	Fill	Light yellow/cream compact sand with occasional small pebbles. A thick (0.05 m) lens of organic/charcoal material is present at the base of the fill. Width= 0.38 m visible, length= unknown, depth= 0.12 m. Fill of [301].
304	Fill	Light brown soft sand with occasional pebbles and occasional flecks of charcoal. Width = 0.26 m visible, length= unknown, depth= 0.22 m. Primary fill of [301].
305	Cut	Linear in plan, running NE/SW with a rounded terminus at SW end. BST= sharp, sides= slightly uneven but very steep especially on E side, BSB= gradual, base= slightly rounded at terminus but appears mainly flat. Width= 1.58 m, length = 3.0 m visible, depth= 0.65 m. Filled by (306) and (307). Truncates possible pit feature [301].
306	Fill	Mid grey brown friable sandy silt with moderate small stones and moderate flecks of charcoal and daub. Also occasional large fragments of charcoal (collected). Lies over dump of daub (307). Width= 1.58 m, length= 3.0 m visible, depth= 0.65 m. Main fill of [305].
307	Fill	Large dump of daub under/within fill (306). Impressions of wattle (?) visible within the daub, flecks of charcoal also visible. Sample taken. Width= 0.50 m, length= 0.60 m, depth= 0.25 m. Fill of [305].
308	Cut	Small and circular in plan, BST= sharp, sides= concave, BSB= gradual, base= pointed. Width= 0.35m, length= 0.32 m, depth= 0.17 m. Filled by (309). Cut of small circular posthole in group with [310] and [312].
309	Fill	Dark brown friable sandy silt with occasional small sub-rounded stones and very occasional flecks of charcoal. Width= 0.35m, length= 0.32 m, depth= 0.17 m. Fill of [308].
310	Cut	Small and roughly circular in plan. Width= 0.40 m, length= 0.42 m, depth=

		unknown at present. Filled by (311). Posthole in group with [308] and [312].
311	Fill	Dark brown friable sandy silt, similar to (309) and (313). Width= 0.40 m, length= 0.42 m, depth= unknown at present. Fill of [310].
312	Cut	Small and circular in plan. Width= 0.30 m, length= 0.30 m, depth= unknown at present. Filled by (313). Posthole in group with [308] and [310].
313	Fill	Dark brown friable sandy silt, similar to (309) and (311). Width= 0.30 m, length= 0.30 m, depth= unknown at present. Fill of [312].
401	Cut	Slightly irregular in plan and runs under NE baulk of Trench 4. BST= gradual, sides= gentle and concave, BSB= gradual, base= flat. Width= 2.40 m, length= unknown at present, depth= 0.26 m. Filled by (402). Cut of large irregular pit possibly associated with similar irregular feature [403] to SW.
402	Fill	Light yellow grey soft sand with occasional small sub-rounded stones and very occasional flecks of charcoal. Width= 2.40 m, length= unknown at present, depth= 0.26 m. Fill of [401].
403	Cut	Irregular in shape, possibly sub-oval (runs under SW baulk of trench 4). Width= 1.14 m, length= 1.94 m visible, depth= unknown at present. Filled by (404). Cut of large irregular pit feature, possibly associated with similar irregular feature [401] to NE.
404	Fill	Dark brown soft silty sand with occasional small rounded stones. Width= 1.14m, length= 1.94 m visible, depth= unknown at present. Fill of [403].
405	Cut	Slightly irregular sub-oval feature in plan. Width= 0.42m, length= 0.68 m, depth= unknown at present. Filled by (406). Cut of possible pit/posthole, may be associated with [407] just to SW.
406	Fill	Dark brown friable silty sand with occasional small sub-rounded stones. Similar to (408). Width= 0.42 m, length= 0.68 m, depth= unknown at present. Fill of [405].
407	Cut	Small sub-circular feature. Width= 0.30 m, length= 0.40 m, depth= unknown at present. Filled by (408). Cut of possible pit/posthole, may be associated with [405] just to NE.
408	Fill	Dark brown friable silty sand with occasional small sub-rounded stones. Similar to (406). Width= 0.30 m, length= 0.40 m, depth= unknown at present. Fill of [407].
501	Cut	Irregular in plan, runs under both NE and SW baulks of trench 5 so difficult to determine if it's a pit or a linear feature. BST= gradual, sides= very shallow and concave, slightly steeper on SE side. BSB= gradual, base = slightly irregular but mainly flat. Width= 1.74 m, length= 2.0 m visible, depth= 0.15 m. Filled by (502).
502	Fill	Mid orange brown soft sand with occasional small sub-rounded stones and very occasional flecks of charcoal. Width= 1.74 m, length= 2.0 m visible, depth= 0.15 m. Fill of [501].
601	Cut	Linear in plan. Width= 0.60 m, length= 2.0 m visible, depth= unknown at present. Filled by (602). Cut of linear feature probably associated with similar linear [603] directly to N.
602	Fill	Dark brown friable sandy silt with occasional small sub-rounded stones. Very similar to (604). Width= 0.60 m, length= 2.0 m, depth= unknown at present. Fill of [601].
603	Cut	Linear in plan. BST= gradual, sides= gentle and concave on north side, slightly more irregular on south, shallow at top then steeper and concave towards base. BSB= gradual, base= gently rounded. Width= 0.60 m, length= 2.0 m visible, depth= 0.08 m. Filled by (604). Cut of linear feature probably associated with similar linear [601] directly to S.
604	Fill	Dark brown/black friable sandy silt with occasional small sub-rounded stones. Very similar to (602). Width= 0.60 m, length= 2.0 m visible, depth= 0.08 m. Fill of [603].
701	Cut	Irregular, sub-oval pit in E facing section of trench 7. Steep sloping sides and rounded base. Width= unknown at present, length= 1.60 m, depth=

		0.33 m. Filled by (702). Cut of possible prehistoric pit.
702	Fill	Mid brown friable sandy silt with occasional small sub-rounded stones and very occasional flecks of charcoal. Width= unknown at present, length= 1.60 m, depth= 0.33 m. Fill of [701].
801	Cut	Large sub-circular pit. BST= sharp, sides= concave at top forming slight lip, then dropping away steeply and still concave, BSB= gradual, base= slightly rounded. Width= 1.64 m, length= 1.56 m visible, depth= 0.51 m. Filled by (802).
802	Fill	Dark brown/black friable sandy silt with moderate small sub-rounded stones and very occasional flecks of charcoal. 1 small flake of flint was recovered from this fill. Width= 1.64 m, length = 1.56 m visible, depth= 0.51 m. Fill of large circular pit [801].
901	Cut	Possibly sub-oval pit in NW facing section of trench 9. BST= sharp, sides= slightly irregular, steeper on S than N but all concave. BSB= gradual, base= slightly rounded. Width= 0.61 m, length = 0.56 m visible, depth= 0.25 m. Filled by (902).
902	Fill	Mid brown sandy silt with occasional small sub-rounded stones. Width= 0.61 m, length = 0.56 m visible, depth= 0.25 m. Fill of small sub-circular pit [901].
1101	Cut	Linear in plan running roughly SE/NW through trench 11. BST= gradual, sides= shallow and concave, BSB= gradual, base= gently rounded. Width= 0.50 m, length= 2.0 m visible, depth= 0.11 m. Filled by (1102). Probably same linear as [1901] and that visible in Trench 20.
1102	Fill	Dark brown almost black soft sandy silt with moderate small sub-rounded stones. Very similar to (1902). Width= 0.50 m, length= 2.0 m visible, depth= 0.11 m. Fill of linear [1101].
1901	Cut	Linear in plan running roughly SE/NW through trench 19. BST= gradual, sides= shallow at top then dropping steeply away and concave. BSB= gradual, base= rounded. Width= 0.74 m, length= 2.0 m visible, depth= 0.25 m. Filled by (1902). Probably same linear as [1101] and that visible in trench 20 (wider and deeper here than in Trench 11 due to the ground sloping down here so less truncated).
1902	Fill	Dark brown almost black soft sandy silt with moderate small sub-rounded stones. Very similar to (1102). Width= 0.74m, length= 2.0 m visible, depth= 0.25 m. Fill of linear [1901].
2001	Cut	Linear in plan, on same alignment as that in Trench ES 19 and 11. Filled by (2002).
2002	Fill	Dark brown almost black soft sandy silt, similar to (1102) and (1902). Fill of [2001].
2101	Cut	Linear feature, not sharply defined. May relate to linear features in trenches 2 and 3. Filled by (2102).
2102	Fill	Mid brown sandy silt. Fill of [2101].
2201	Cut	Linear feature, clearly defined. May relate to linear features in Trenches 2, 3 and 21. Filled by (2202).
2202	Fill	Mid brown sandy silt. Fill of [2201].
2203	Cut	Linear feature, not sharply defined. May relate to linear features in trenches 21, 2 and 3. Filled by (2204).
2204	Fill	Light brown mottled sandy silt. Fill of [2203].

## APPENDIX 4: Drawing Register

Drawing Number	Area	Feature Number	Description	Scale
1	A		Area plan of features in Trench 1 and extension	1:20
2	A	[109]-[113]	North facing section through features [109] and [113]	1:10
3	A	[101]	South facing section of pit/posthole [101]	1:10

4	A	[117]-[119]	Area plan of features in Trench 1	1:20
5	A		Area plan of postholes in Trench 2	1:20
6	A	[205]	South-east facing section of posthole [205]	1:10
7	A	[203]	South-east facing section of posthole [203]	1:10
8	A	[201]	North-west facing section of posthole [201]	1:10
9	A	[207]	Area plan of Trench 2 showing ditch [207]	1:20
10	A	[305]	South-west facing section of ditch terminus [305]	1:10
11	A	[305]	Plan of ditch terminus [305] in south end of Trench 3	1:20
12	A	[308]	South facing section of posthole [308]	1:10
13	A		Plan of postholes in Trench 3	1:20
14	A	[901]	Plan of pit in Trench 9	1:20
15	A	[901]	West facing section of pit [901]	1:10
16	A	[801]	Plan of large circular pit [801]	1:20
17	A	[801]	East facing section of pit [801]	1:10
18	A	[701]	Plan of pit in Trench 7	1:20
19	A	[701]	South facing section of pit [701]	1:10
20	A	[601]-[603]	Plan of linear features [601] and [603]	1:20
21	A	[603]	West facing section of linear [603]	1:10
22	A		Plan of postholes in Trench 4	1:20
23	A	[501]	South-east facing section of linear/pit? In Trench 5	1:10
24	A		Plan of pits in Trench 4 at north-east end	1:20
25	A	[401]	North-east facing section of pit [401]	1:10
26	A	[501]	Plan of pit [501] in Trench 5	1:20
27	A	[1101]	South-east facing section of linear [1101]	1:10
28	A	[1901]	South-east facing section of linear [1901]	1:10
29	A	[207]	East facing section of linear [207]	1:10

## APPENDIX 5: Finds Register

Find Number	Area	Context	Description	Material Code
1	A	(102)	1 small body sherd of coarse prehistoric pottery	CE
2	A	(802)	1 orange/red coloured flint flake	ST
3	A	(111)	13 sherds of thick coarse prehistoric pottery (four of the sherds conjoin to form part of a rim of a wide bodied ceramic vessel One body sherd of Grooved Ware	CE

## APPENDIX 6: Sample Register

Area	Context	Sample Type	Volume (Litres)
A	102	SBS	10
A	110	SBS	10
A	111	SBS	10
A	112	SBS	10
A	114	SBS	10
A	115	SBS	10
A	202	SBS	10
A	204	SBS	10
A	206	SBS	10
A	208	SBS	20
A	302	SBS	10
A	306	SBS	20
A	309	SBS	10

A	402	SBS	10
A	502	SBS	10
A	604	SBS	10
A	702	SBS	10
A	802	SBS	20
A	902	SBS	10
A	1102	SBS	10
A	1902	SBS	20
A	306	Special/charcoal	1
A	307	Special/daub	1

## APPENDIX 7: DISCOVERY AND EXCAVATION IN SCOTLAND REPORT

LOCAL AUTHORITY:	Highland Council
PROJECT TITLE/SITE NAME:	East Beechwood Farm, Inverness Evaluation
PROJECT CODE:	AOC 21113
PARISH:	Inverness and Bona
NAME OF CONTRIBUTOR:	Rob Engl & Victoria Clements
NAME OF ORGANISATION:	AOC Archaeology Group
TYPE(S) OF PROJECT:	Archaeological Evaluation
NMRS NO(S):	
SITE/MONUMENT TYPE(S):	
SIGNIFICANT FINDS:	
NGR:	NH 68948 45386 & NH 69138 44634
START DATE (this season)	12 <sup>th</sup> January 2009
END DATE (this season)	16 <sup>th</sup> January 2009
PREVIOUS WORK (incl. DES ref.)	
MAIN DESCRIPTION: (May include information from other fields)	<p>Prior to submission of a planning application for a mixed use development at East Beechwood Farm, Inverness an initial archaeological evaluation was carried out as part of a phased response of archaeological work. The 5% sample evaluation was carried out on two land parcels, consisting of 36 trenches covering a total basal area of 3,560 m<sup>2</sup>. The evaluation revealed numerous features of archaeological significance, including, a large enclosure ditch of probable prehistoric date and a variety of pit and posthole features.</p> <p>Artefacts recovered from the pit features included a single flint flake and prehistoric pottery including Neolithic Grooved Ware. A large quantity of impressed daub was also revealed within the ditch terminus.</p>
PROPOSED FUTURE WORK:	As required by Highland Council Archaeology Unit, a mitigation strategy to deal with these findings will be prepared compliant with NPPG5 and SPP 23.
CAPTION(S) FOR ILLUSTRS:	n/a
SPONSOR OR FUNDING BODY:	ROK Prime Contracting Ltd
ADDRESS OF MAIN CONTRIBUTOR:	C/o AOC Archaeology Group
EMAIL ADDRESS:	Lindsay.Dunbar@aocarchaeology.com



**AOC Archaeology Group**, Edgefield Industrial Estate, Edgefield Road, Loanhead EH20 9SY  
tel: 0131 440 3593 | fax: 0131 440 3422 | e-mail: [edinburgh@aocarchaeology.com](mailto:edinburgh@aocarchaeology.com)

[www.aocarchaeology.com](http://www.aocarchaeology.com)